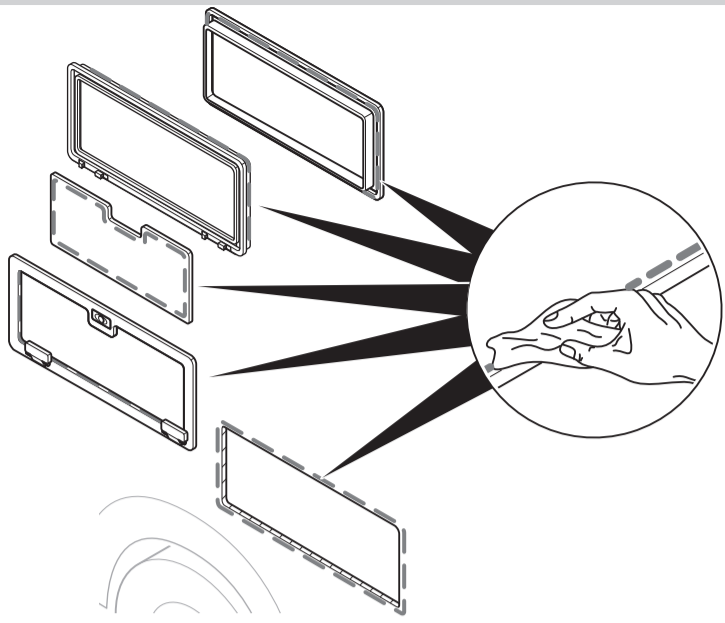
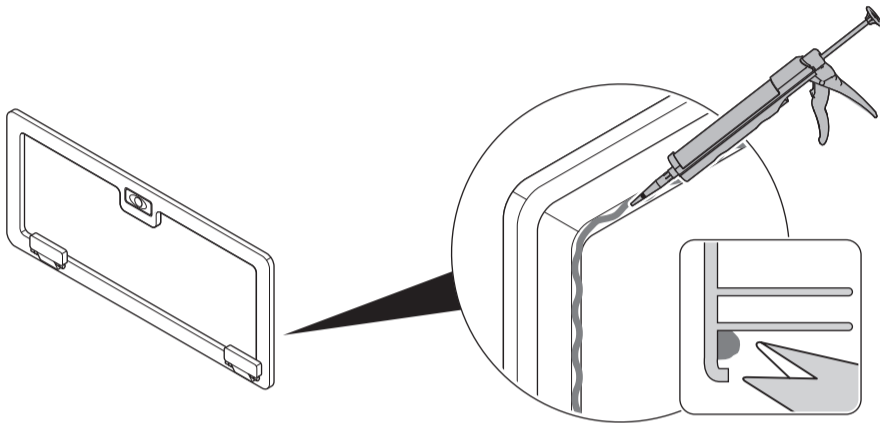




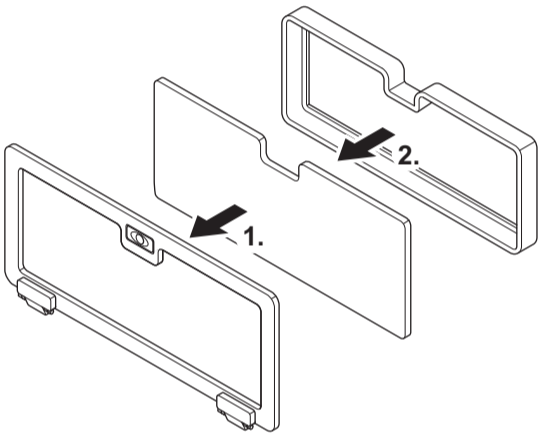
8



9

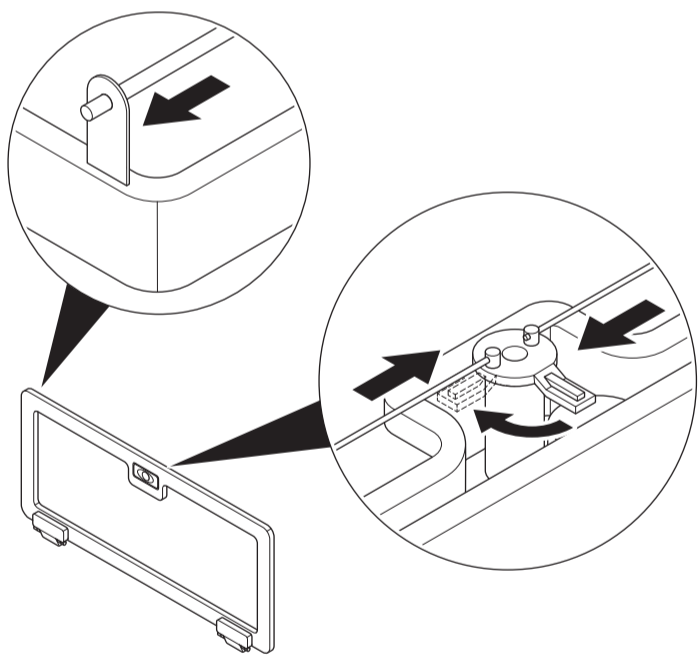


10



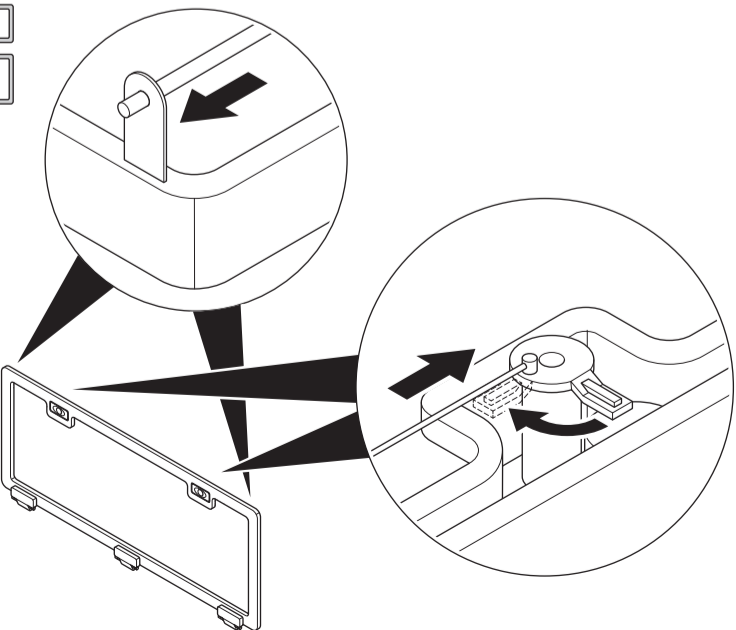
11

3

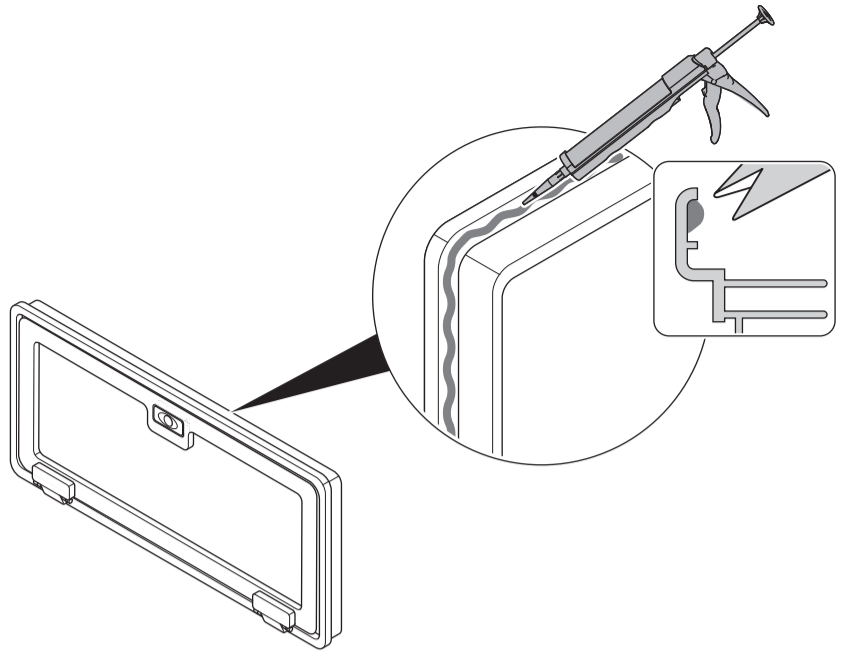


4

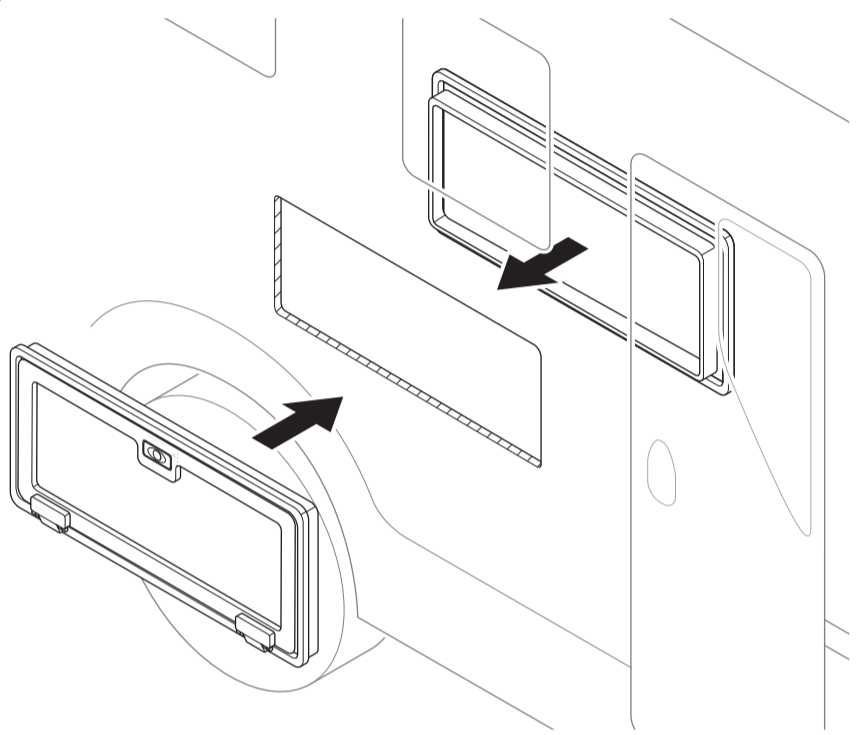
5



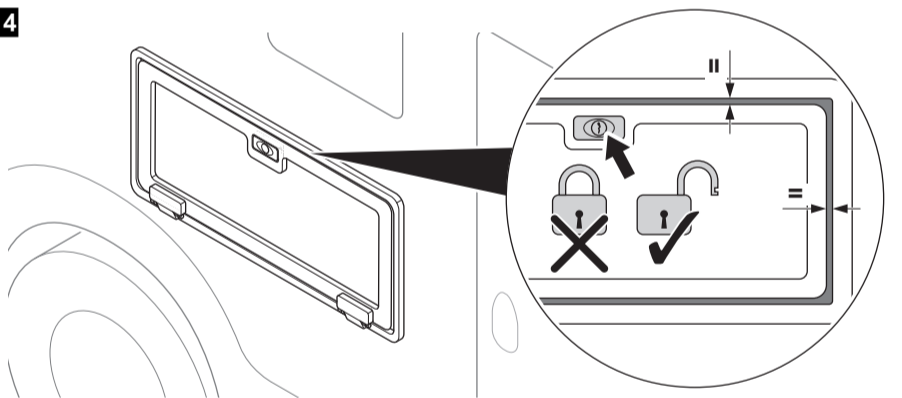
12



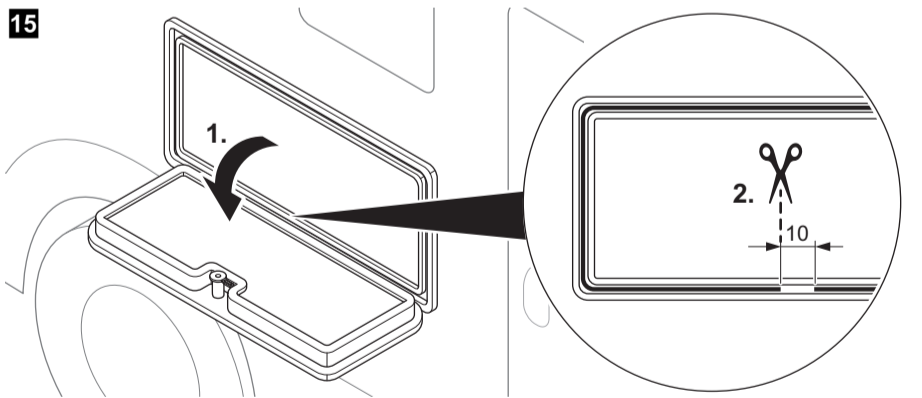
13



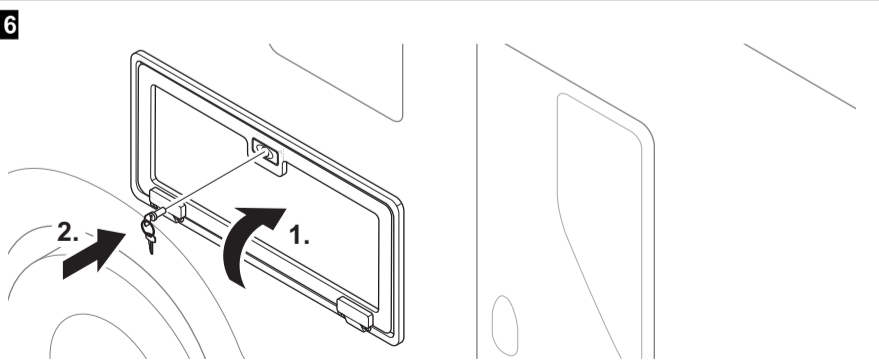
14



15



16



Dometic WAECO International GmbH
Hollefeldstrasse 63
D-48282 Emsdetten
www.dometic.com

↔ DOMETIC

WINDOWS & DOORS

DOORS



SK4

EN	Locker Door Installation and Operating Manual	3
DE	Serviceklappe Montage- und Bedienungsanleitung	9
FR	Trappe de service Instructions de montage et de service	15
ES	Tapa de servicio Instrucciones de montaje y de uso	21
PT	Porta de alçapão Instruções de montagem e manual de instruções	27
IT	Sportello di servizio Istruzioni di montaggio e d'uso	33
NL	Serviceklep Montagehandleiding en gebruiksaanwijzing	39
DA	Serviceklappen Monterings- og betjeningsvejledning	45

SV	Servicelucka Monterings- och bruksanvisning	51
NO	Service Luke Monterings- og bruksanvisning	57
FI	Huoltoluukku Asennus- ja käyttöohje	63
RU	Техническая дверца Инструкция по монтажу и эксплуатации	69
PL	Kłapa serwisowe Instrukcja montażu i obsługi	75
SK	Servisná klapka Návod na montáž a uvedenie do prevádzky	81
CS	Servisní klapka Návod k montáži a obsluze	87
HU	Szervizajtók Szerelési és használati útmutató	93

Please read this instruction manual carefully before installation and first use, and store it in a safe place. If you pass on the product to another person, hand over this instruction manual along with it.

Table of contents

1	Safety and installation instructions	3
2	Variants	4
3	Scope of delivery	5
4	Intended use	5
5	Mounting the service door	6
6	Using the service door	8
7	Cleaning and maintenance.	8
8	Warranty	8

1 Safety and installation instructions

Please observe the prescribed safety instructions and stipulations from the vehicle manufacturer and service workshops.

The manufacturer accepts no liability for damage in the following cases:

- Damage to the product resulting from mechanical influences
- Alterations to the product without express permission from the manufacturer
- Use for purposes other than those described in the operating manual



NOTE






If you do not have sufficient technical knowledge for installing components in vehicles, you should have a specialist install the service door in your vehicle.

Please note the following:






- During installation, do not damage any cables in the vehicle.
- Ensure that during installation, fastening and reinforcing parts are not impaired in their function.

2 Variants




The service door is available in the following variants:

Symbol	Dimensions	Models	Ref. no.
	375 x 305 mm	1 lock, simple locking, clamping frame	9104100197
	700 x 305 mm	1 lock, multipoint locking, clamping frame	9104100198
	700 x 405 mm	1 lock, multipoint locking, clamping frame	9104100199
	1000 x 305 mm	2 locks, multipoint locking, clamping frame	9104100200
	1000 x 405 mm	2 locks, multipoint locking, clamping frame	9104100201


Dimensions (mm) and weight (kg) (fig. 1)

Symbol	a	b	c	d	e	f	g	Weight
	375	305	305	235	45	96	–	0.99
	700	305	630	235	45	96	–	1.45
	700	405	630	335	45	96	–	1.85
	1000	305	930	235	45	96	550	2.00
	1000	405	930	335	45	96	550	2.50

3 Scope of delivery

No. in fig. 2	Quantity	Description
1	1 set	Lock with two keys  : 1 tabs  : 2 tabs
2	1	Door
3	1	Clamping frame for door
4	1	Outer frame
5	1	Clamping frame for external frame
-	1 set	 : Linkage

4 Intended use

The Dometic service door SK4  is suitable for wall thicknesses of 23 mm to 32 mm.

The Dometic service door SK4  is suitable for wall thicknesses of 23 mm to 42 mm.

The Dometic service door SK4 is suitable for installation on motorhomes or caravans.

5 Mounting the service door



NOTE

Observe the following supplements.

- ▶ Mount the service door as shown in the figures: fig. **3** to fig. **16**.

Supplementary to fig. **3**

The service door can be installed horizontally and vertically. If mounted vertically, the hinges must point in the driving direction.

Supplementary to fig. **4**

- ▶ Disassemble the trim and other attachments at the installation site of the service door.

Supplementary to fig. **5**

- ▶ Prior to cutting the opening, the outer frame must extend about 20 mm beyond the opening and the clamping frame about 15 mm.

The exact dimensions are shown in the “Dimensions” table on page 4 and fig. **1**.






NOTE

You need the cut-out part of the wall as filling for the door.

Supplementary to fig. **6**

- ▶ When cutting the door filling, ensure that with any existing trim there is no offset from the wall.

Supplementary to fig. **7**

- ▶ For wall thicknesses of less than 33 mm (, , ): Shorten the clamping frame circumferentially by 10 mm in each case.

Supplementary to fig. 9 and fig. 12**NOTICE!**

Use a permanently elastic adhesive.
Observe the adhesive manufacturer's instructions.
If you are using Sikaflex 252 or Sikaflex 221, treat the bonding surfaces of the service door with Sika activator 205 and Sika primer 215.

Supplementary to fig. 11

- ▶ Insert the linkage through the outer guide tabs on the door frame.
- ▶ Use the fastening clips to attach the linkage into the boreholes on the closing bars.

Supplementary to fig. 14**NOTICE!**

Do not lock the mounted door until the adhesive is fully cured.

- ▶ Close the door without locking it.
- ▶ Check whether there is a uniform gap between the door and the outer frame.
If necessary, align the outer frame.

Supplementary to fig. 15

- ▶ Cut about 10 mm out of the bottom of the rubber seal.
This slot is used for air balancing in the seal.

6 Using the service door

Closing the service door

- Insert the key.
- Turn the handle anti-clockwise as far as it will go.
- Turn the key clockwise and push the handle in until it clicks into place.

Opening the service door

- Insert the key.
- Turn the key until the handle pops out.
- Turn the handle clockwise and unlock the service door.

7 Cleaning and maintenance



NOTICE!

Do not use sharp or hard objects or cleaning agents for cleaning as these may damage the product.

- Occasionally clean the product with a damp cloth.
- Maintain the seal with commercially available care agents.

8 Warranty

The statutory warranty period applies. If the product is defective, please contact your retailer or the manufacturer's branch in your country (see the back of the instruction manual for the addresses).

For repair and guarantee processing, please include the following documents when you send in the device:

- A copy of the receipt with purchasing date
- A reason for the claim or description of the fault

GERMANY**Domestic WAECO International GmbH**

Hollefeldstraße 63 · D-48282 Emsdetten
 ☎ +49 (0) 2572 879-195 · 📠 +49 (0) 2572 879-322
 Mail: info@domestic-waeco.de

AUSTRALIA**Domestic Australia Pty. Ltd.**

1 John Duncan Court
 Varsity Lakes QLD 4227
 ☎ 1800 212121
 📠 +61 7 55076001
 Mail: sales@domestic.com.au

AUSTRIA**Domestic Austria GmbH**

Neudorferstraße 108
 A-2353 Guntramsdorf
 ☎ +43 2236 908070
 📠 +43 2236 90807060
 Mail: info@domestic.at

BENELUX**Domestic Branch Office Belgium**

Zincstraat 3
 B-1500 Halle
 ☎ +32 2 3598040
 📠 +32 2 3598050
 Mail: info@domestic.be

BRAZIL**Domestic DO Brasil LTDA**

Avenida Paulista 1754, conj. 111
 SP 01310-920 Sao Paulo
 ☎ +55 11 3251 3352
 📠 +55 11 3251 3362
 Mail: info@domestic.com.br

DENMARK**Domestic Denmark A/S**

Nordensvej 15, Taulov
 DK-7000 Fredericia
 ☎ +45 75585966
 📠 +45 75586307
 Mail: info@domestic.dk

FINLAND**Domestic Finland OY**

Mestariitie 4
 FIN-01730 Vantaa
 ☎ +358 20 7413220
 📠 +358 9 7593700
 Mail: info@domestic.fi

FRANCE**Domestic SAS**

ZA du Pré de la Dame Jeanne
 B.P. 5
 F-60128 Pleilly
 ☎ +33 3 44633525
 📠 +33 3 44633518
 Mail: vehiculesdeloisirs@domestic.fr

HONG KONG**Domestic Group Asia Pacific**

Suites 2207-11 / 22/F - Tower 1
 The Gateway - 25 Canton Road,
 Tsim Sha Tsui - Kowloon
 ☎ +852 2 4611386
 📠 +852 2 4665553
 Mail: info@waeco.com.hk

HUNGARY**Domestic Zrt. Sales Office**

Kerekgyártó u. 5.
 H-1147 Budapest
 ☎ +36 1 468 4400
 📠 +36 1 468 4401
 Mail: budapest@domestic.hu

ITALY**Domestic Italy S.r.l.**

Via Virgilio, 3
 I-47122 Forlì (FC)
 ☎ +39 0543 754901
 📠 +39 0543 754983
 Mail: vendite@domestic.it

JAPAN**Domestic KK**

Maekawa-Shibaura, Bldg. 2
 2-13-9 Shibaura Minato-ku
 Tokyo 108-0023
 ☎ +81 3 5445 3333
 📠 +81 3 5445 3339
 Mail: info@domestic.jp

MEXICO**Domestic Mx, S. de R. L. de C. V.**

Circuito Médicos No. 6 Local 1
 Colonia Ciudad Satélite
 CP 53100 Naucalpan de Juárez
 Estado de México
 ☎ +52 55 5374 4108
 📠 +52 55 5393 4683
 Mail: info@domestic.com.mx

NETHERLANDS**Domestic Benelux B.V.**

Ecustraat 3
 NL-4879 NP Etten-Leur
 ☎ +31 76 5029000
 📠 +31 76 5029019
 Mail: info@domestic.nl

NEW ZEALAND**Domestic New Zealand Ltd.**

PO Box 12011
 Penrose
 Auckland 1642
 ☎ +64 9 622 1490
 📠 +64 9 622 1573
 Mail: customerservices@domestic.co.nz

NORWAY**Domestic Norway AS**

Østerøyveien 46
 N-3232 Sandefjord
 ☎ +47 33428450
 📠 +47 33428459
 Mail: firmapost@domestic.no

POLAND**Domestic Poland Sp. z o.o.**

Ul. Puławska 435A
 PL-02-801 Warszawa
 ☎ +48 22 414 3200
 📠 +48 22 414 3201
 Mail: info@domestic.pl

PORTUGAL**Domestic Spain, S.L.**

Branch Office em Portugal
 Rot. de São Gonçalo nº 1 - Esc. 12
 2775-399 Carcavelos
 ☎ +351 219 244 173
 📠 +351 219 243 206
 Mail: info@domestic.pt

RUSSIA**Domestic RUS LLC**

Komsomolskaya square 6-1
 RU-107140 Moscow
 ☎ +7 495 780 79 39
 📠 +7 495 916 56 53
 Mail: info@domestic.ru

SINGAPORE**Domestic Pte Ltd**

18 Boon Lay Way 06-140 Trade Hub 21
 Singapore 609966
 ☎ +65 6795 3177
 📠 +65 6862 6620
 Mail: domestic@domestic.com.sg

SLOVAKIA**Domestic Slovakia s.r.o. Sales Office Bratislava**

Nádražná 34/A
 900 28 Ivanka pri Dunaji
 ☎/📠 +421 2 45 529 680
 Mail: bratislava@domestic.com

SOUTH AFRICA**Domestic (Pty) Ltd.****Regional Office****South Africa & Sub-Saharan Africa**

2 Avalon Road
 West Lake View Ext 11
 Modderfontein 1645
 Johannesburg
 ☎ +27 11 4504978
 📠 +27 11 4504976
 Mail: info@domestic.co.za

SPAIN**Domestic Spain S.L.**

Avda. Sierra del Guadarrama, 16
 E-28691 Villanueva de la Cañada
 Madrid
 ☎ +34 902 111 042
 📠 +34 900 100 245
 Mail: info@domestic.es

SWEDEN**Domestic Scandinavia AB**

Gustaf Melins gata 7
 S-42131 Västra Frölunda
 ☎ +46 31 7341100
 📠 +46 31 7341101
 Mail: info@domesticgroup.se

SWITZERLAND**Domestic Switzerland AG**

Riedackerstrasse 7a
 CH-8153 Rümlang
 ☎ +41 44 8187171
 📠 +41 44 8187191
 Mail: info@domestic.ch

UNITED ARAB EMIRATES**Domestic Middle East FZCO**

P. O. Box 17860
 S-D 6, Jebel Ali Freezone
 Dubai
 ☎ +971 4 883 3858
 📠 +971 4 883 3868
 Mail: info@domestic.ae

UNITED KINGDOM**Domestic UK Ltd.**

Domestic House, The Brewery
 Blandford St. Mary
 Dorset DT11 9LS
 ☎ +44 344 626 0133
 📠 +44 344 626 0143
 Mail: customerservices@domestic.co.uk

USA**Domestic RV Division**

1120 North Main Street
 Elkhart, IN 46515
 ☎ +1 574-264-2131